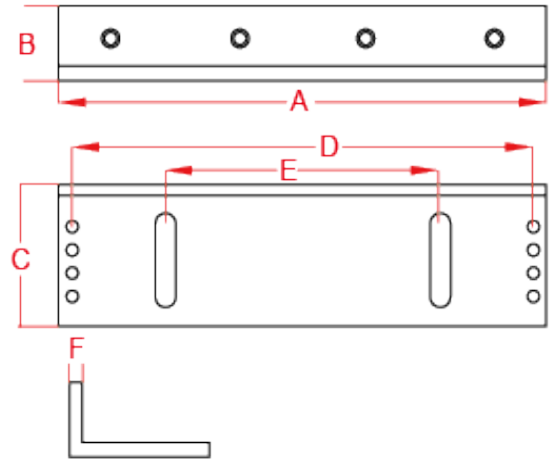


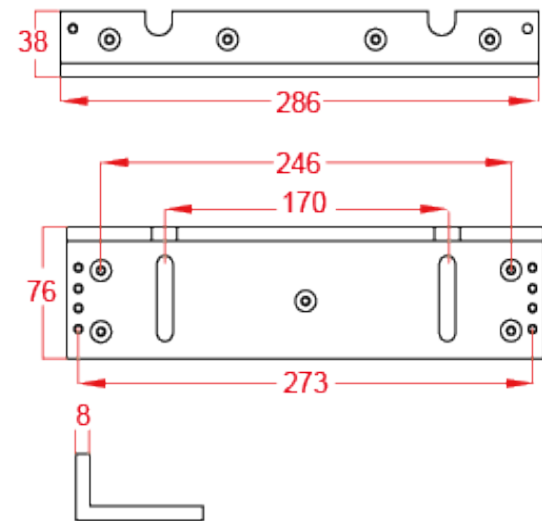
ADJUSTABLE L Bracket - B1001 / B1011 / B1021 / B286



	A	B	C	D	E	F (mm)
B1001 -	66	38	76	252	150	6.3
B1011 -	250	30	48	238	148	5
B1021 -	166	30	42	156	142	5



B286



▼ ORDERING INFORMATION

EXAMPLE :

- B1001 : For 1200LBS. Maglocks
- B1011 : For 600LBS. Maglocks
- B1021 : For 300LBS. Maglocks
- B286 : For 1500LBS. Maglocks

▼ SPECIFICATION

- Material : Aluminum
- Finish : Anodized Finish

▼ FEATURES

- Easy to locate the armature plate
- Collocation with electromagnetic locks to fit with customers' installation environments
- Applicable for in-swing door

▼ INSTALLATION

