

### L-Z BRACKETS - B1022 SERIES (For 300 LBS)



#### ▼ ORDERING INFORMATION

EXAMPLE :

- B1022 : For 300LBS. Maglocks

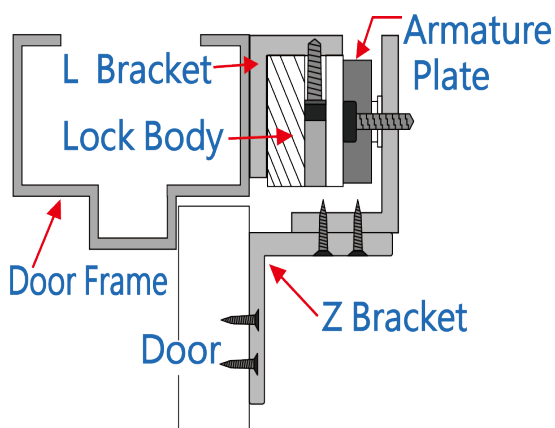
#### ▼ SPECIFICATION

- Material : Aluminum
- Finish : Anodized Finish

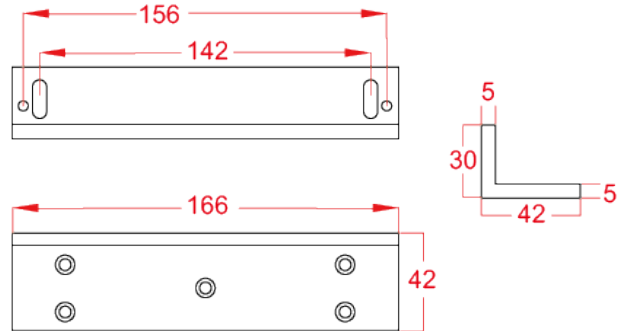
#### ▼ FEATURES

- Easy to locate the armature plate and the magnet
- Collocate with electromagnetic locks to fit with customers' installation environments
- Applicable for in-swing door

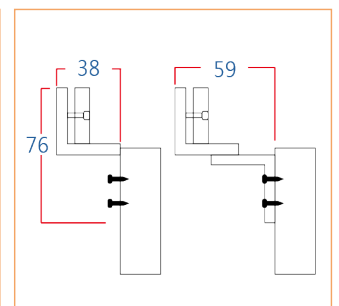
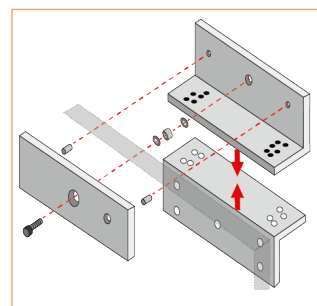
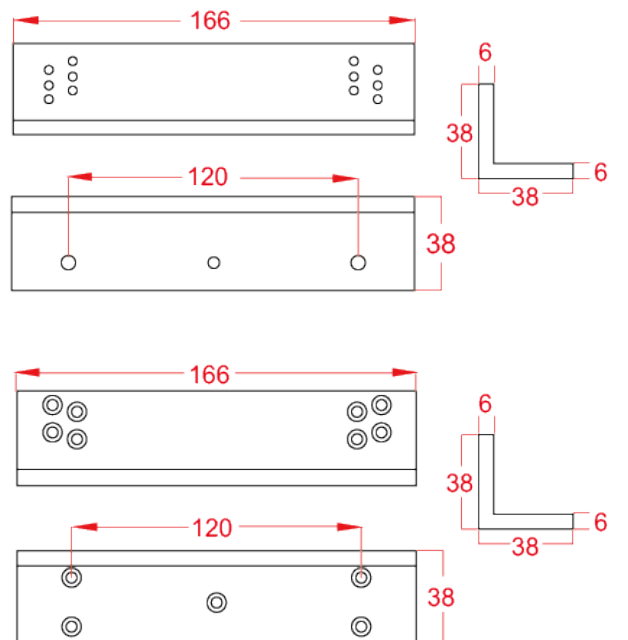
#### ▼ INSTALLATION



#### • L-Brackets for lock body



#### • Z-Brackets for armature plate



#### • Installation of L-Z Brackets

#### • Adjustment installation of L-Z Brackets